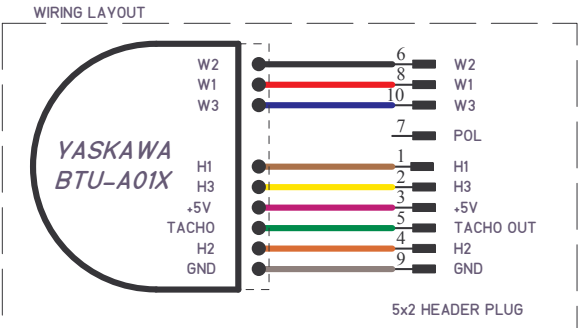
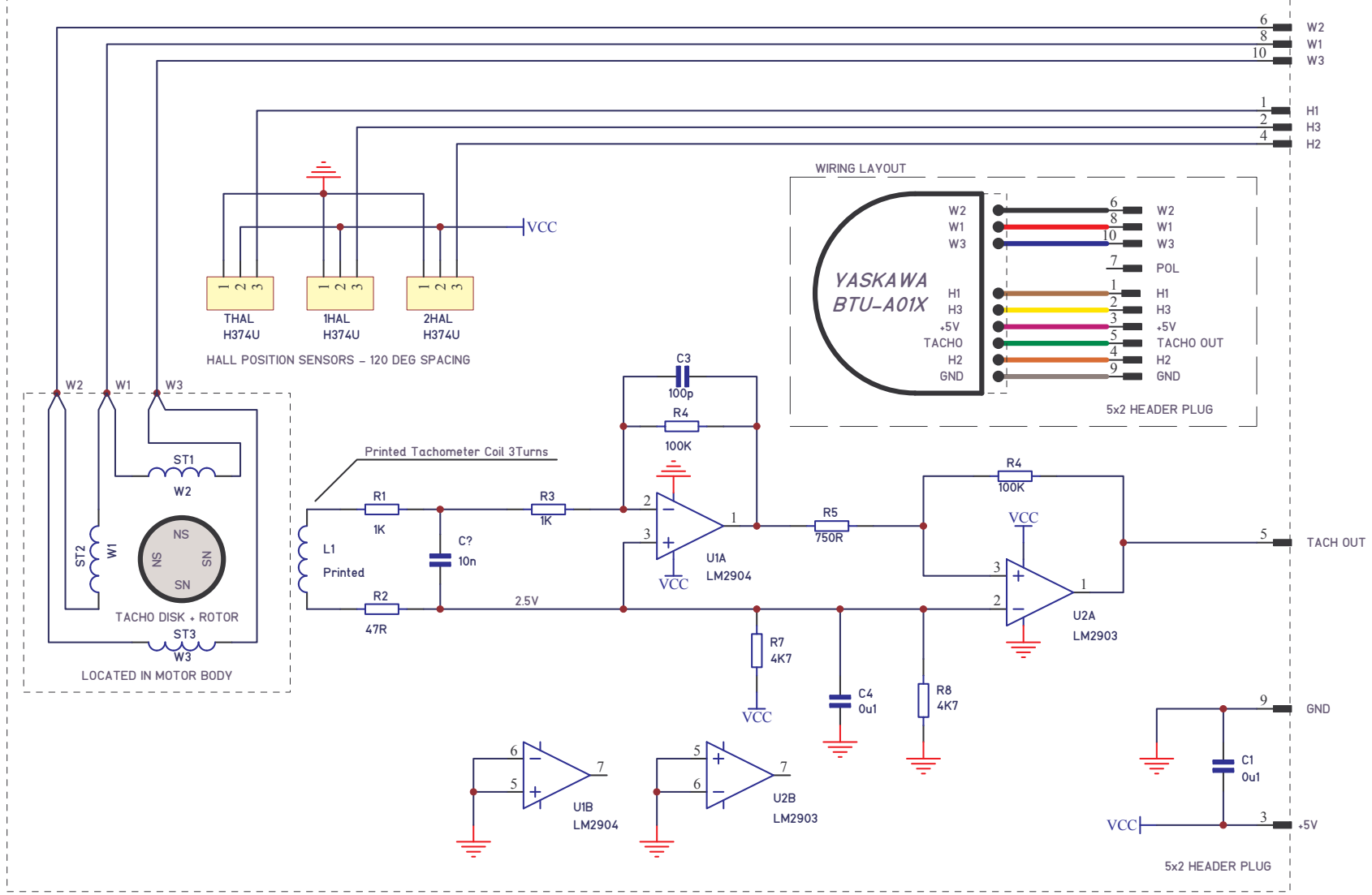


MOTOR PCB ASSEMBLY REV.6 DF 8404554



Unless otherwise specified, all values are as follows:
 resistor values are in Ohms, i.e. 0R47, 5R6, 220, 5K6, 22K
 capacitor values are in Microfarads, i.e. 220p, 0u1, 2u2, 33
 inductor values are in Microhenries, i.e. 0u22, 5u6, 68, 2m2

PCB Name:	Motor Interface Board
PCB Nr.	DF 8404554
PCB Type:	FR4 0.032

Title		YASKAWA BTU-A01X Motor	
Used in	BTU-A01X	Repl.for	N/A
Build No.	0		

This drawing is our property. Duplication, unauthorized use of any kind is prohibited.
 Without Approval use only for inquiry.

Approval:							
Drawn	Date	Name	Change Index	Change Notification Nr.	Date	Name	
Modified	24-Feb-2012	GJO					
Checked							
<input type="checkbox"/> Prototype	<input checked="" type="checkbox"/> Production	<input type="checkbox"/> BOM Done?					

Scale:	N/A	Prj. Nr	12003
Drw. Type:	PCB SCHEM	Drw. Nr	12003-YASK-PWB-E01
Size:	A	Rev:	0
File:	BTU_A01X.sch	Sheet	1 of 1